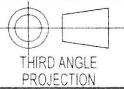


Surface finishes unless otherwise stated		Surface finishes unless otherwise stated	
1 Fabricated	: 0.75	1 Sand-Cast	= 16.0um
2 Sand-Cast	: 0.35	2 Drilling	= 6.3um
3 Forging	: 0.25	3 Forging	= 6.3um
4 Die-Cast	: 0.25	4 Milling	= 3.2um
5 Moulded	: 0.15	5 Turning	= 3.2um
6 Machined	: 0.25um	6 Bezing	= 3.2um
7 Angular	: 0.50degree	7 Die-Cast	= 1.6um



THIRD ANGLE  
PROJECTION

Dimensions in millimetres

Zip Industries Pty Ltd  
67 Allingham Street  
Condel Park  
Sydney  
NSW 2200  
Australia

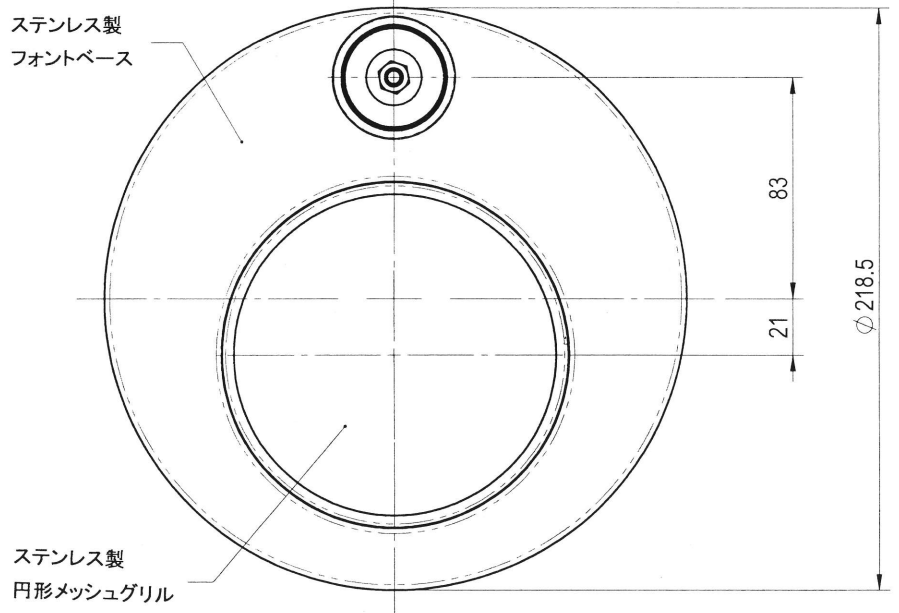
Drawing to 658885.2004

Screw threads to BS 8438:2008

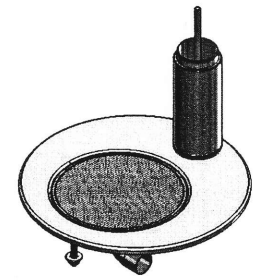
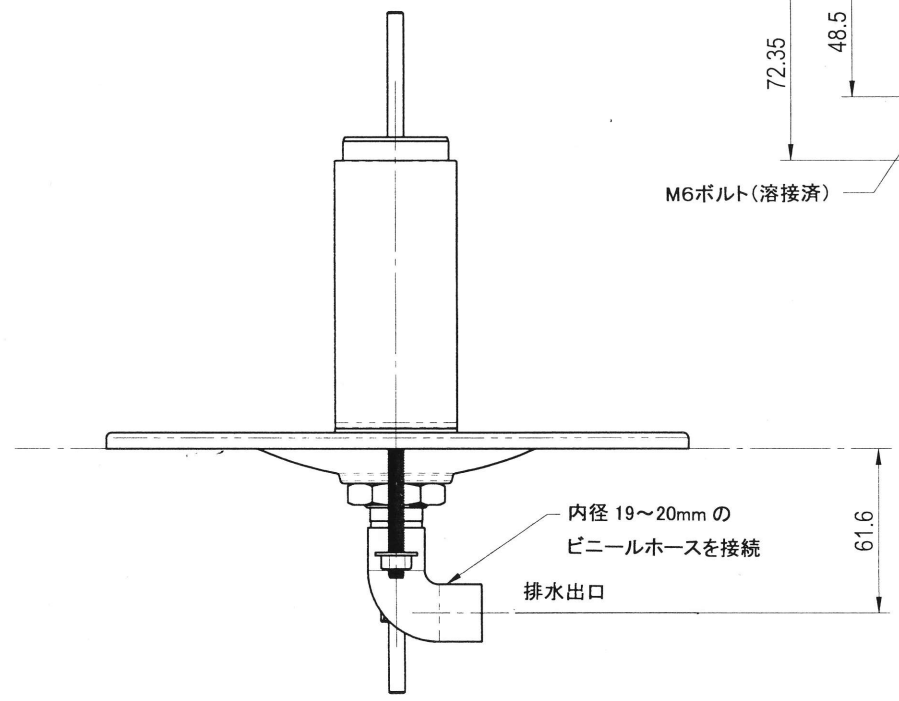
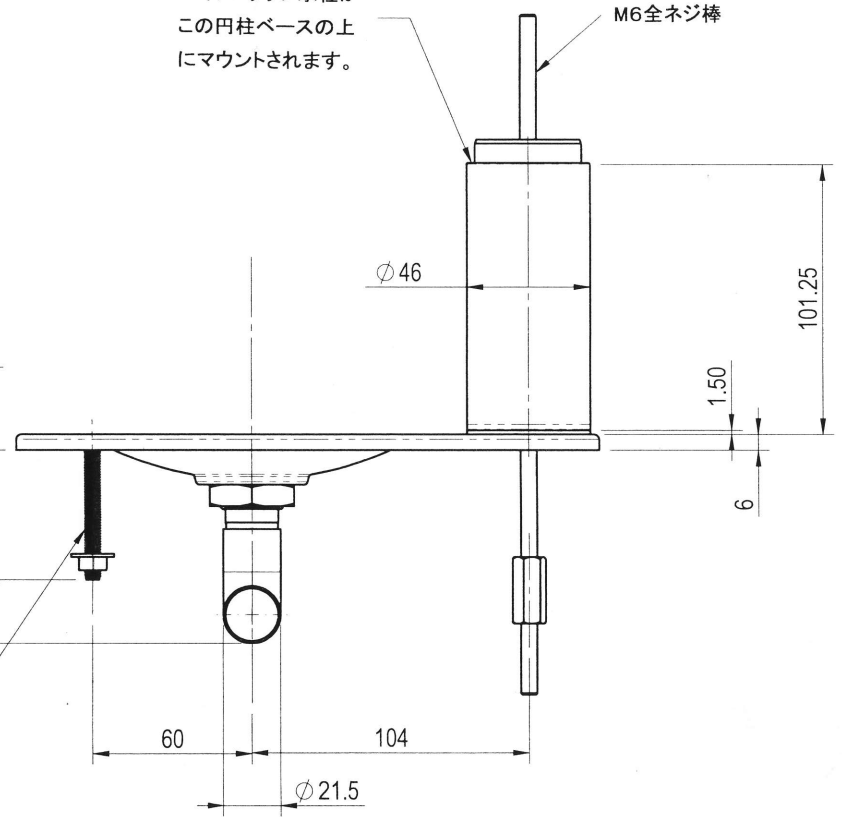
Web: www.zipindustries.com  
Email: sales@zipindustries.com

Features marked with this symbol must be referred to in the manufacturing control plan

REVISIONS					
Rev	xxxx yyyy	Last Change(s)	ECO	Date	Int
A		First release.	0000	17/05/2012	EVC



ハイドロタップ水栓が  
この円柱ベースの上  
にマウントされます。



P/N 90915 フォントキット

This drawing is CONFIDENTIAL and is supplied on the express condition that it shall not be LOANED, COPIED or DISCLOSED to any other third party or used for any purpose without the written consent of Zip Industries Pty Ltd. If this document is printed in hardcopy form, it is for INFORMATION ONLY and therefore not subject to updating controls. For the current revision ALWAYS refer to the NATIVE electronic form as stated in the top left-hand corner of this sheet. © copyright Zip Industries Pty Ltd. 17/05/2012

**Axia**

Manufacturing Instructions		Approved by : Unapproved on 1/01/2001	Description	
Make or Buy : Make	Checked by : Unchecked on 1/01/2001	<b>フォントキット (G4 用排水セット)</b>		
Manufacturing Route : See Components	Updated by : edgard on 25/02/2014 12:18:42 PM			
Raw material : See Components	Material : See Components	Project : HydroTap0	Configuration : 90915-Miniboil Elite	
Remove all sharp edges. This drawing ONLY details information which cannot be ascertained from the 3D geometry of the part(s) attached. Model & dimensions are AFTER all finishing operations.	Finish : See Components	Model : 90046I	Created by & on : edgard on 28/01/2010	
Comments : Converted by nick @ 10/05/2012 14:53:38	Volume (mm <sup>3</sup> ) : 149.5	Area (mm <sup>2</sup> ) : 1793.8	Derived from : New	Colour : Proprietary
Potable? NO	Recyclable? NO	Handed? NO	Mass (g) : 935.2	Density (g/cm <sup>3</sup> ) : 6.3
Scale : 1:1		Sheet : 1 of 1		Status : Production